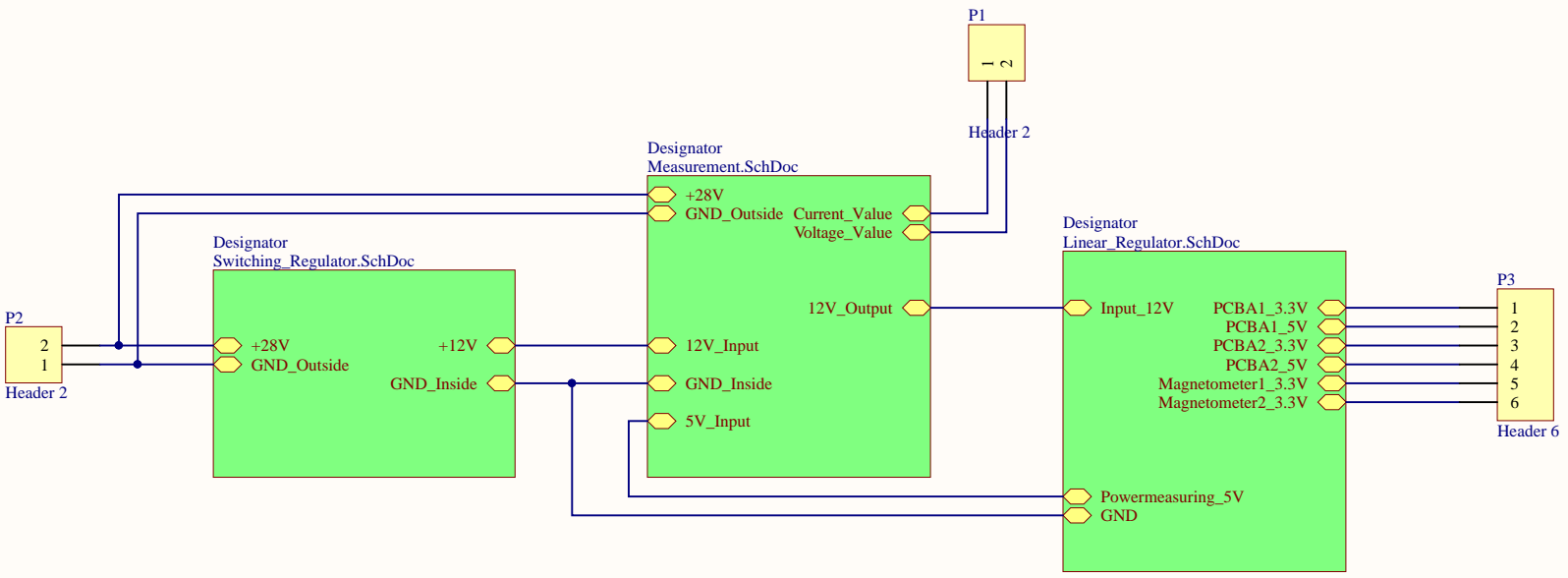
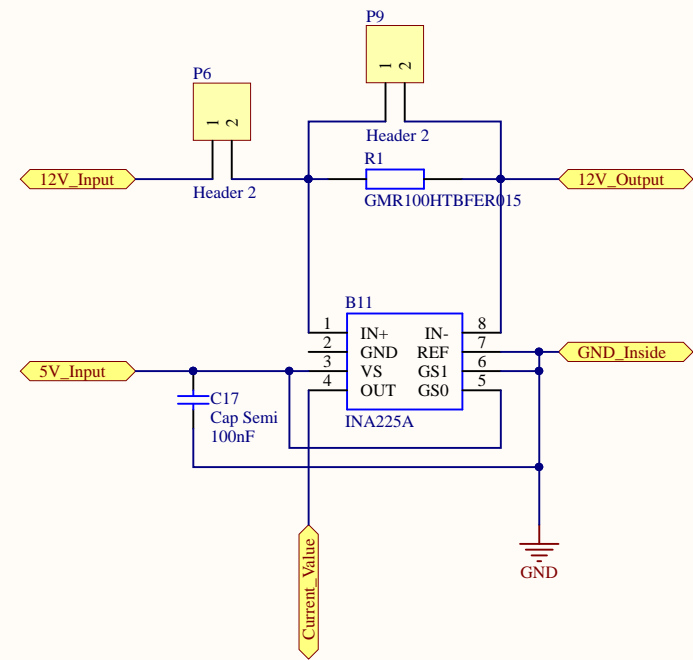
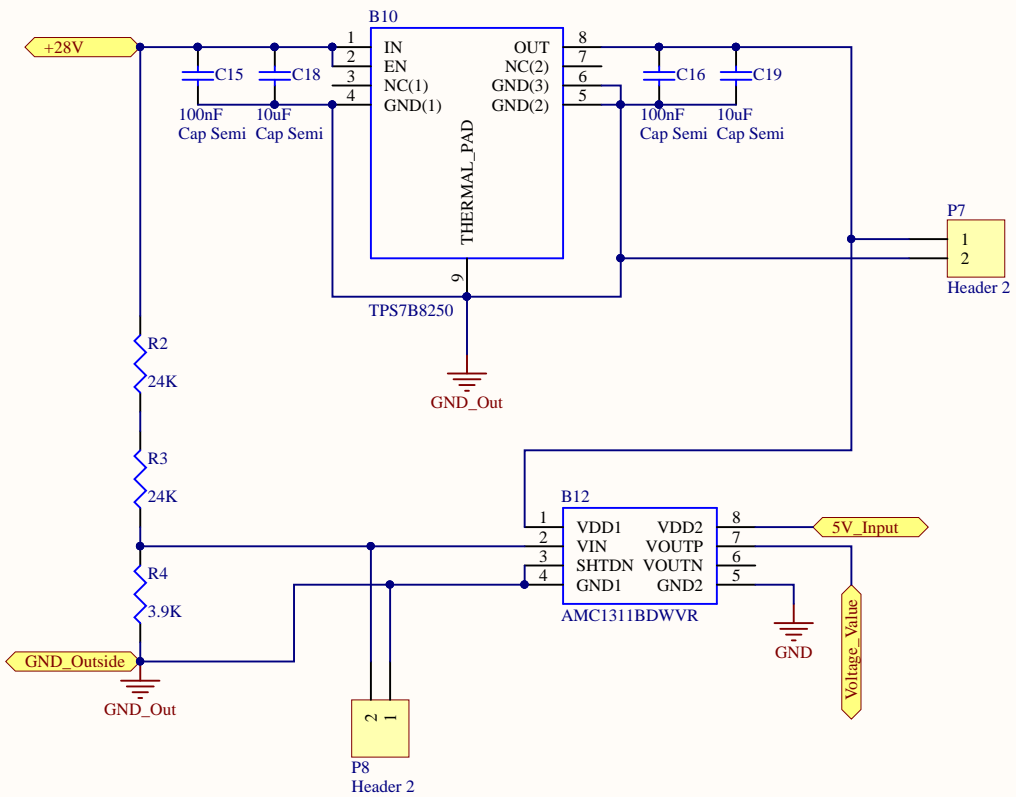


Title		
Size A4	Number	Revision
Date: 05.05.2018	Sheet of	
File: D:\Hannes\...\Linear_Regulator.SchDoc	Drawn By:	



Title		
Size	Number	Revision
A4		
Date:	05.05.2018	Sheet of
File:	D:\Hannes\...\Main.SchDoc	Drawn By:



Title		
Size A4	Number	Revision
Date: 05.05.2018	Sheet of	
File: D:\Hannes\...\Measurement.SchDoc	Drawn By:	

1

2

3

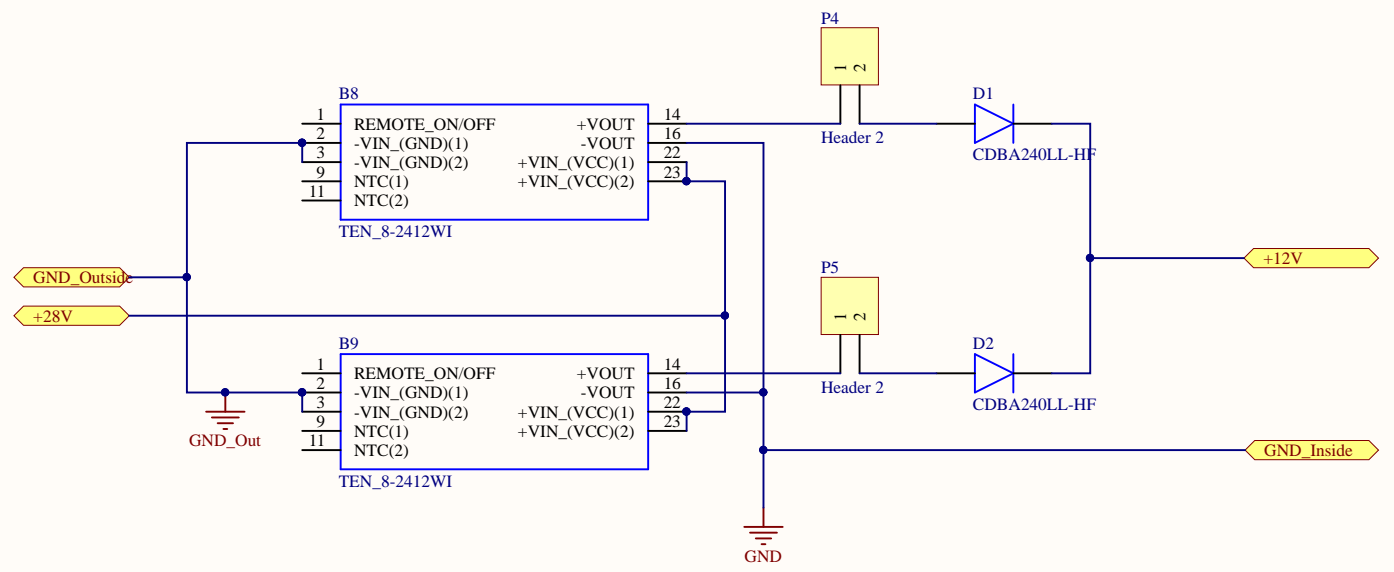
4

1

2

3

4



Title		
Size	Number	Revision
A4		
Date:	05.05.2018	Sheet of
File:	D:\Hannes\..\Switching_Regulator.SchDocDrawn By:	

